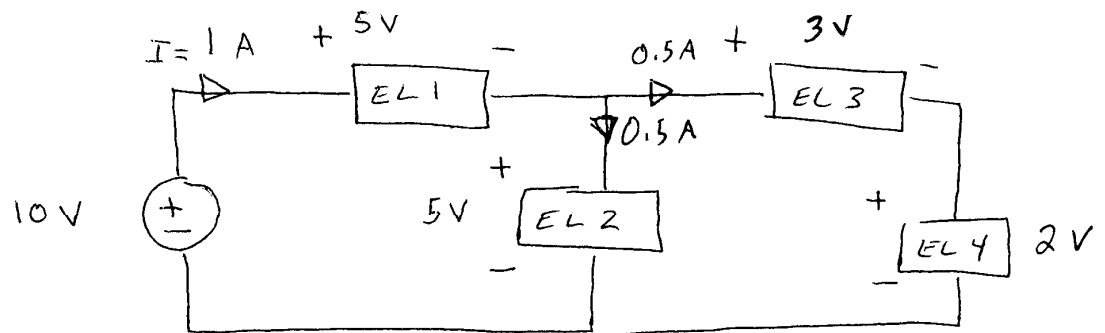


ECE 210 01 F'00

NAME:
Honor Code:

KEY

Find the power absorbed / supplied by each of the elements in this circuit:



10 V source	:	<u>-10 W</u>
EL1	:	<u>5 W</u>
EL2	:	<u>2.5 W</u>
EL3	:	<u>1.5 W</u>
EL4	:	<u>1 W</u>