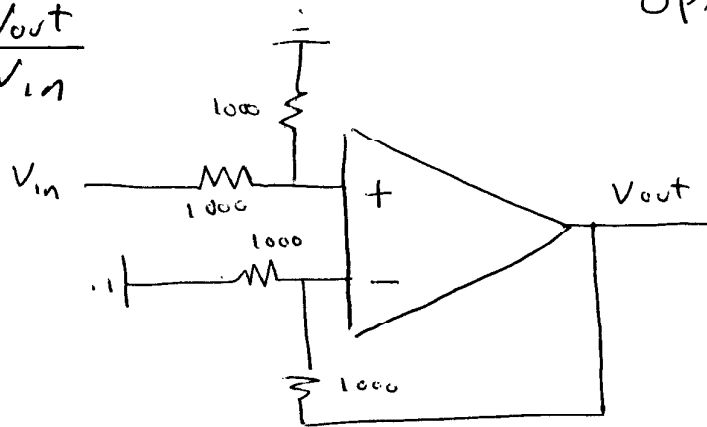


1. Find

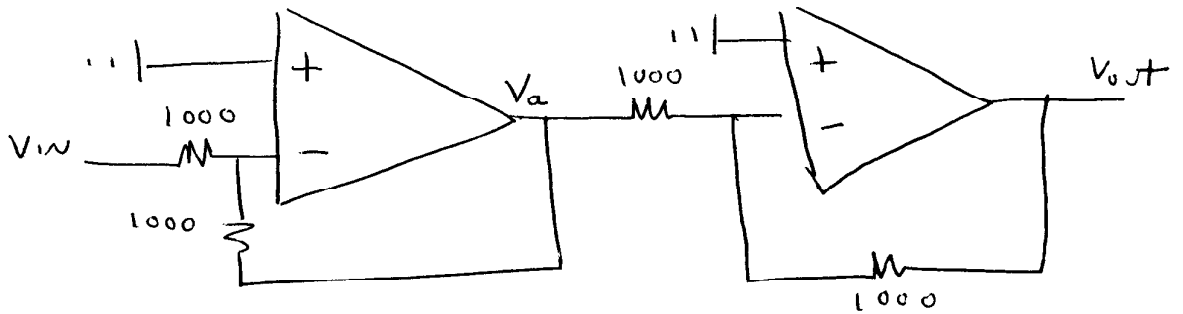
$$\frac{V_{out}}{V_{in}}$$

OPAMPS 1/2

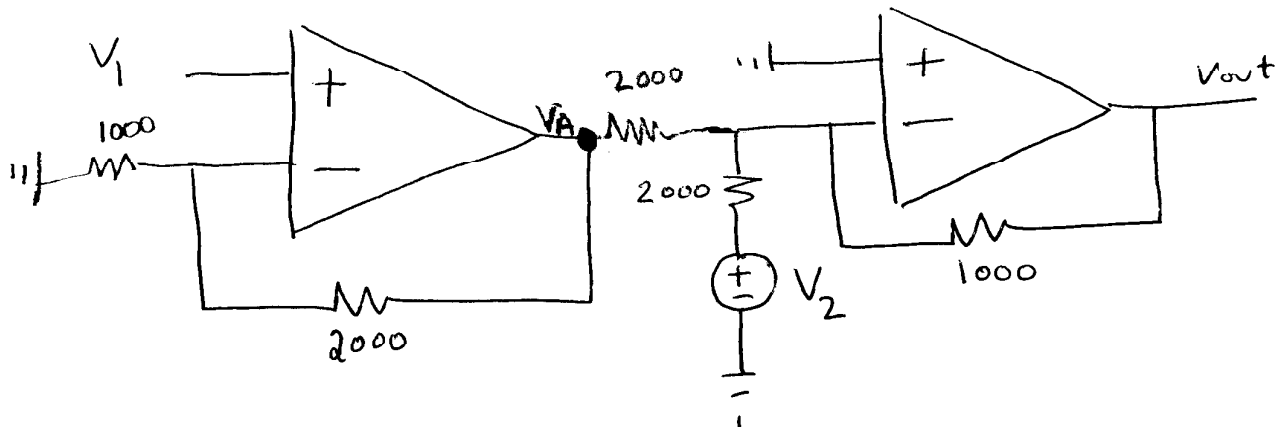


2.

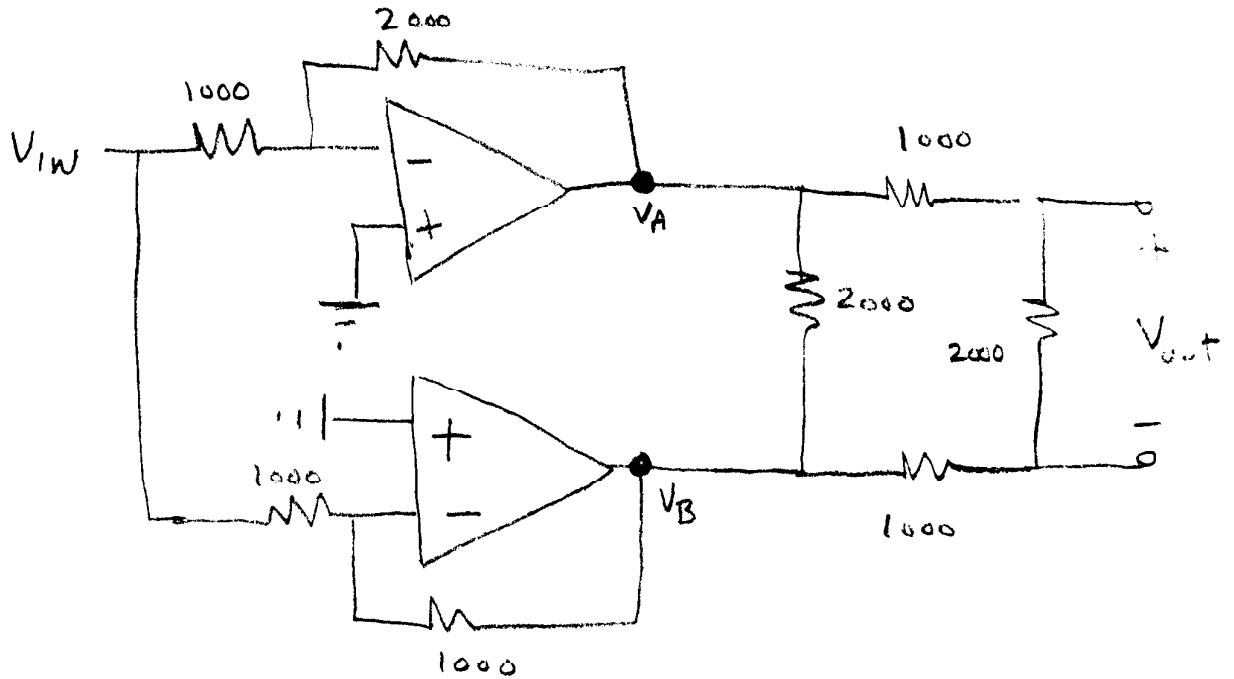
$$\text{Find } \frac{V_{out}}{V_{in}}$$



3. Find V_{out} in terms of V_1 & V_2



4. Find V_{out} when $V_{in} = 12V$



5. Find V_{out} when $V_{in} = -10, -6, -2, 2, 6, \text{ and } 0$

